



MOTOROLA

SEMICONDUCTORS

DESIGNED AND MANUFACTURED IN AUSTIN, TEXAS 78721

BIT RATE GENERATOR

The MC14411 bit rate generator is constructed with complementary MOS enhancement mode devices. It utilizes a frequency divider network to provide a wide range of output frequencies.

A crystal controlled oscillator is the clock source for the network. A two-bit address is provided to select one of four multiple output clock rates.

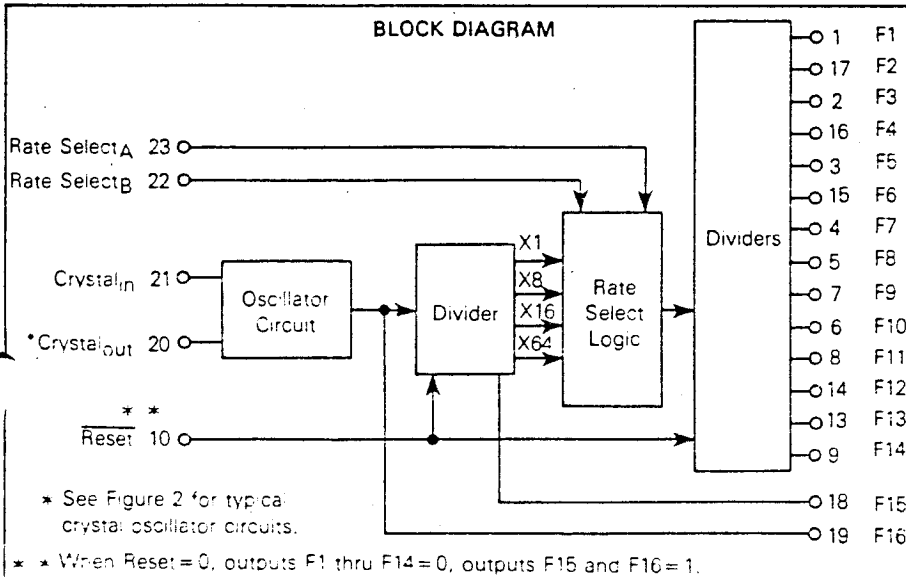
Applications include a selectable frequency source for equipment in the data communications market, such as teleprinters, printers, CRT terminals, and microprocessor systems.

- Single 5.0 Vdc ($\pm 5\%$) Power Supply
- Internal Oscillator Crystal Controlled for Stability (1.8432 MHz)
- Sixteen Different Output Clock Rates
- 50% Output Duty Cycle
- Programmable Time Bases for One of Four Multiple Output Rates
- Buffered Outputs Compatible with Low Power TTL
- Noise Immunity = 45% of V_{DD} Typical
- Diode Protection on All Inputs
- External Clock May be Applied to Pin 21
- Internal Pullup Resistor on Reset Input

MAXIMUM RATINGS (Voltages referenced to V_{SS} , Pin 12.)

Rating	Symbol	Value	Unit
DC Supply Voltage Range	V_{DD}	5.25 to -0.5	V
Input Voltage, All Inputs	V_{in}	$V_{DD} + 0.5$ to $V_{SS} - 0.5$	V
DC Current Drain per Pin	I	10	mA
Operating Temperature Range	T_A	-40 to +85	$^{\circ}C$
Storage Temperature Range	T_{stg}	-65 to +150	$^{\circ}C$

BLOCK DIAGRAM

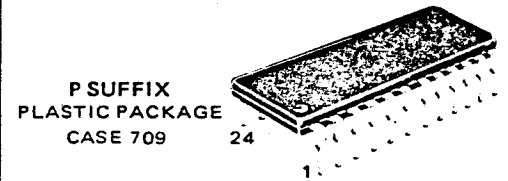
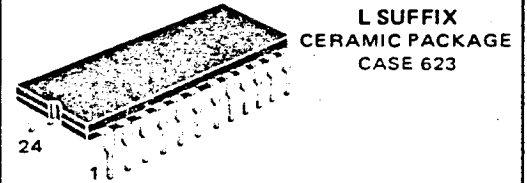


MC14411

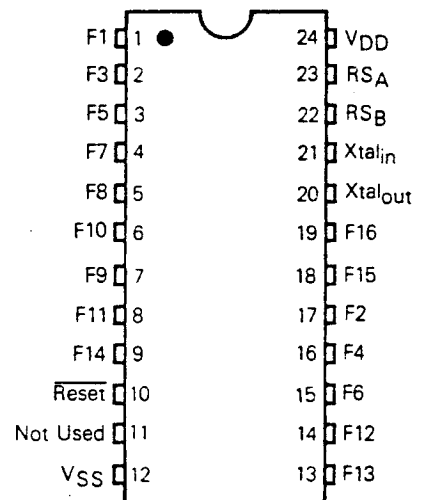
CMOS LSI

(LOW-POWER COMPLEMENTARY MOS)

BIT RATE GENERATOR



PIN ASSIGNMENT



V_{DD} = Pin 24
 V_{SS} = Pin 12

This device contains circuitry to protect the inputs against damage due to high static voltages or electric fields; however, it is advised that normal precautions be taken to avoid application of any voltage higher than maximum rated voltages to this high impedance circuit. For proper operation it is recommended that V_{in} and V_{out} be constrained to the range $V_{SS} \leq (V_{in} \text{ or } V_{out}) \leq V_{DD}$.

Unused inputs must always be tied to an appropriate logic voltage level (e.g., either V_{SS} or V_{DD}).

ELECTRICAL CHARACTERISTICS

Characteristic	Symbol	V _{DD} V _d	- 40°C		25°C			- 85°C		Unit
			Min	Max	Min	Typ	Max	Min	Max	
Supply Voltage	V _{DD}	—	4.75	5.25	4.75	5.0	5.25	4.75	5.25	V
Output Voltage "0" Level "1" Level	V _{out}	5.0	—	0.05	—	0	0.05	—	0.05	V
		5.0	4.95	—	4.95	5.0	—	4.95	—	V
Input Voltage (V _O = 4.5 or 0.5 V)	V _{IL}	5.0	—	1.5	—	2.25	1.5	—	1.5	V
	V _{IH}	5.0	3.5	—	3.5	2.75	—	3.5	—	V
Output Drive Current (V _{OH} = 2.5 V) Source (V _{OL} = 0.4 V) Sink	I _{OH}	5.0	-0.23	—	-0.20	-1.7	—	-0.16	—	mA
	I _{OL}	5.0	0.23	—	0.20	0.78	—	0.16	—	mA
Input Current Pins 21, 22, 23 Pin 10	I _{in}	—	—	±0.1	—	±0.00001	±0.1	—	±1.0	μA
		5.0	—	—	-1.5	—	-7.5	—	—	μA
Input Capacitance (V _{in} = 0)	C _{in}	—	—	—	—	5.0	—	—	—	pF
Quiescent Dissipation	P _Q	5.0	—	2.5	—	0.015	2.5	—	15	mW
Power Dissipation**† (Dynamic plus Quiescent) (C _L = 15 pF)	P _D	5.0	P _D = (7.5 mW/MHz) f + P _Q							mW
Output Rise Time** t _r = (3.0 ns/pF) C _L + 25 ns	t _{TLH}	5.0	—	—	—	70	200	—	—	ns
Output Fall Time** t _f = (1.5 ns/pF) C _L + 47 ns	t _{THL}	5.0	—	—	—	70	200	—	—	ns
Input Clock Frequency	f _{CL}	5.0	—	1.85	—	—	1.85	—	1.85	MHz
Clock Pulse Width	t _{W(C)}	—	200	—	200	—	—	200	—	ns
Reset: Pulse Width	t _{W(R)}	—	500	—	500	—	—	500	—	ns

†For dissipation at different external capacitance (C_L) refer to corresponding formula:

$$P_T(C_L) = P_D + 2.6 \times 10^{-3}(C_L - 15 \text{ pF}) V_{DD}^2 f$$

where: P_T, P_D in mW, C_L in pF, V_{DD} in V_d, and f in MHz.

**The formula given is for the typical characteristics only.

TABLE 1 — OUTPUT CLOCK RATES

Rate Select		Rate
B	A	
0	0	X1
0	1	X8
1	0	X16
1	1	X64

Output Number	Output Rates (Hz)			
	X64	X16	X8	X1
F1	614.4 k	153.6 k	76.8 k	9600
F2	460.8 k	115.2 k	57.6 k	7200
F3	307.2 k	76.8 k	38.4 k	4800
F4	230.4 k	57.6 k	28.8 k	3600
F5	153.6 k	38.4 k	19.2 k	2400
F6	115.2 k	28.8 k	14.4 k	1800
F7	76.8 k	19.2 k	9600	1200
F8	38.4 k	9600	4800	600
F9	19.2 k	4800	2400	300
F10	12.8 k	3200	1600	200
F11	9600	2400	1200	150
F12	8613.2	2153.3	1076.6	134.5
F13	7035.5	1758.8	879.4	109.9
F14	4800	1200	600	75
F15	921.6 k	921.6 k	921.6 k	921.6 k
F16*	1.843 M	1.843 M	1.843 M	1.843 M

*F16 is buffered oscillator output.



FIGURE 1 — DYNAMIC SIGNAL WAVEFORMS

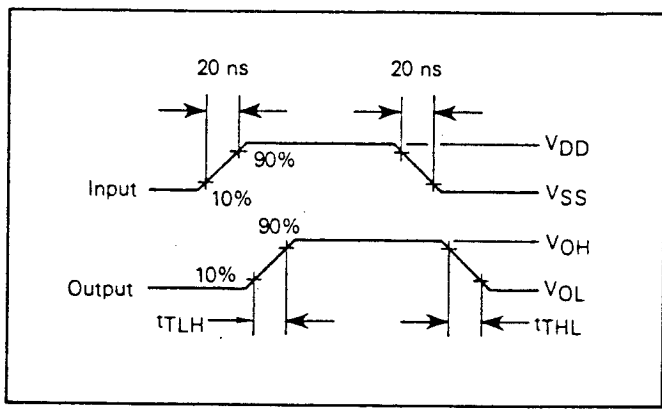
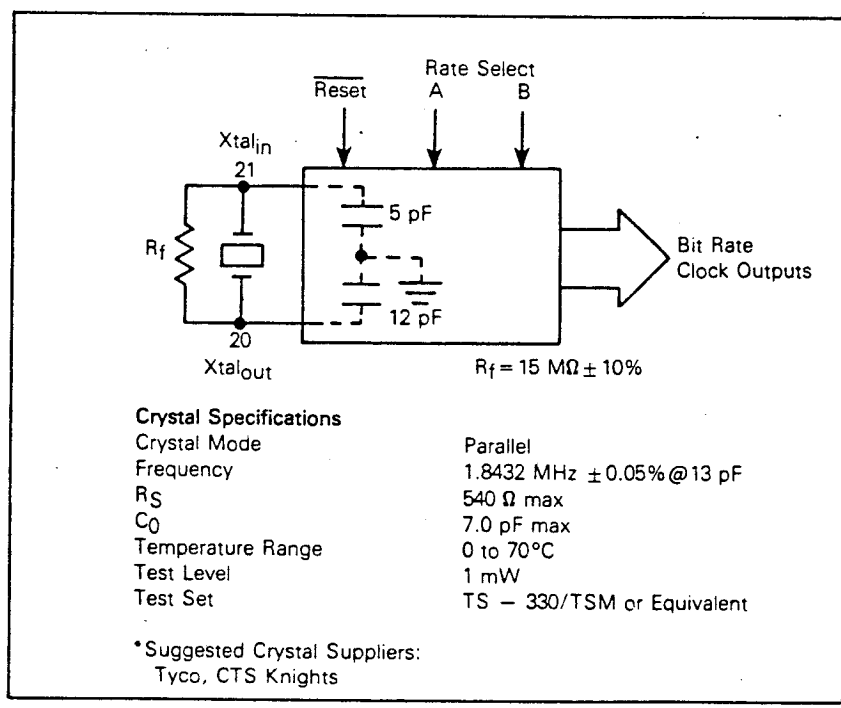


FIGURE 2 — TYPICAL CRYSTAL OSCILLATOR CIRCUIT



Circuit diagrams utilizing Motorola products are included as a means of illustrating typical semiconductor applications; consequently, complete information sufficient for construction purposes is not necessarily given. The information has been carefully checked and is believed to be entirely reliable. However, no responsibility is assumed for inaccuracies. Furthermore, such information does not convey to the purchaser of the semiconductor devices described any license under the patent rights of Motorola Inc., or others.





MOTOROLA Semiconductor Products Inc.

3501 ED BLUESTEIN BLVD., AUSTIN, TEXAS 78721 • A SUBSIDIARY OF MOTOROLA INC.